





PORTABLE UV DISINFECTION

Sentry Mobile Tripod

With the Sentry Mobile Tripod, protection follows you. The Sentry Mobile Tripod is an affordable mobile UV disinfecting unit designed for easy positioning and simple control. It emits broad-spectrum UV light to eliminate up to 99.9% of the bacteria, viruses, and fungi in a space¹. In rooms that have been cleaned of mold, the unit will help control return growth if used routinely².

This compact unit can be equipped with Single or Dual UV Light Engines in a lightweight miniaturized design. Mounted on a tripod base, the Sentry Mobile Tripod unit has a telescoping neck and adjustable UV head angle for perfect spot treatment where contamination is suspected.

1. Independently validated to kill up to 99.9% of *E. coli*, MRSA, Salmonella enterica, Norovirus, human coronavirus 229E, *C. diff* and *C. auris*
2. Research Journal of Microbiology, 2 (1), 42-49, 2007; Mycological Research, Vol. 92, Issue 3, 1989

-  Broad Spectrum UV-C, UV-B and UV-A light to kill bacteria and viruses¹.
-  Lightweight, tripod base and a telescoping neck for easy positioning.
-  Simple single-cycle operation with occupancy detection for safety.
-  Single or Dual UV Light Engines with pulsed Xenon lamps for 170°, 340°, or 360° coverage up to 200 sq ft.

POWERED BY VIOLET DEFENSE® TECHNOLOGY

Sentry Tripod

PRODUCT SPECIFICATIONS

UV ILLUMINATION

Light Source	Proprietary Pulsed Xenon Lamp
Pulse Interval	1 UV Flash every 6 seconds
Wavelengths	UV-C (200-280nm) Germicidal UV-B (280-320nm) Germicidal UV-A (320-400nm) Bactericidal
Range	Sentry M1: 10' x 10' typical, Sentry M2: 12' x 12' typical
UV Bulb Rated Life	>2 Million UV Flashes

ELECTRICAL SYSTEM

Input Voltage	110V AC
Max Current	Sentry M1-T-1: 3.5 Amps, Sentry M2-T-1: 7 Amps*
Average Power	Sentry M1-T-1: 60W, Sentry M2-T-1: 125W (per 30 min cycle)*
Power Connection	3-prong grounded plug

PHYSICAL

Weight (tripod base)	6.9 lbs
Housing/Finish	Brushed Aluminum
Optics	Patented Single or Dual UV Light Engine with transmissive UV lens and Xenon UV lamp
Beam Angle	One fixture 170°, Two fixtures 340°, Three fixtures 360°

ENVIRONMENT

Ambient Operating Temperature	41°F to 104°F
Ambient Operating Humidity	<80%RH non-condensing

CERTIFICATIONS

Safety	TUV Certified, tested to UL 61010-1:2012; CAN/CSA C22.2 NO. 61010-1:2012
FCC	Compliant with Part 15 Class A
RoHS	Compliant

WARRANTY

Warranty	1 year
----------	--------

*Max Current and Average Power will increase depending on number of fixtures.

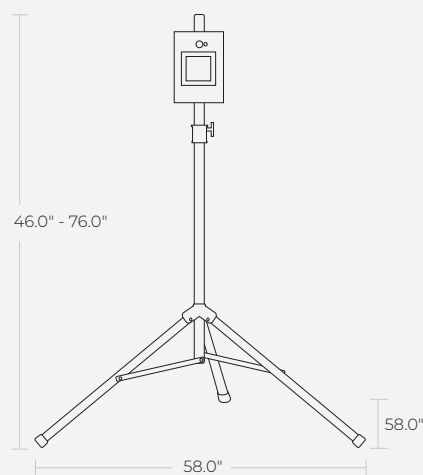
DIMENSIONS

Height: 46.0" - 76.0"
Width and Depth: 58.0"

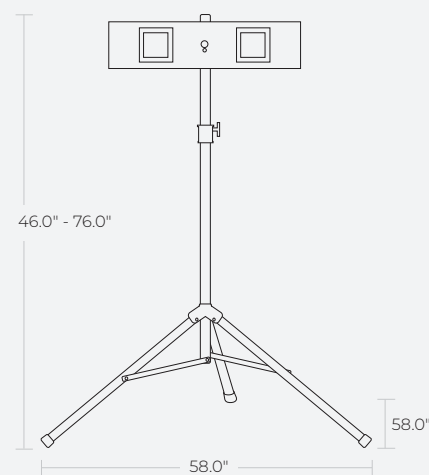
MODEL WEIGHT

Sentry M1-T-1 (One Helo F1) = 9.5 lbs
Sentry M1-T-2 (Two Helo F1) = 12.1 lbs
Sentry M1-T-3 (Three Helo F1) = 14.7 lbs
Sentry M2-T-1 (One Helo F2) = 15.3 lbs
Sentry M2-T-2 (Two Helo F2) = 23.7 lbs

M1-T-1 (Single UV Light Engine)



M2-T-1 (Dual UV Light Engine)



Sentry Tripod

SINGLE CYCLE OPERATION MODE

The operational mode is programmed through an Ethernet connection to the unit.

This unit will complete a single cycle of 10, 15, 20, 25 or 30 minutes when the unit is plugged in for power. If interrupted, the unit will resume its programmed cleaning cycle once motion is no longer detected.

The units must be programmed before use.

SAFETY AND OCCUPANCY SENSORS

The unit's redundant safety systems, including an integrated occupancy sensor, ensures the unit will not activate while the room is occupied and will immediately suspend operations if motion is detected in a previously unoccupied room.

CERTIFICATIONS



This device is tested and certified by TUV to UL specifications.



Tested to be compliant with FCC Part 15 Class A.

Internal components of this device are UL Listed, UL Recognized or CE listed. Independent lab testing has been conducted by accredited facilities, including Microchem Laboratory, an ISO 17025 accredited facility.

INSTALLATION

All units ship with a 15 foot cord terminated with a grounded 110V plug. Plug in the unit after positioning it in the room.

110V Outlet

The unit can be plugged into a non-GFI outlet. If an outlet is not accessible near the fixture location, you may require a sufficiently rated, grounded extension cord or have a licensed electrician to install an outlet.

CAUTION

CAUTION — IF THE FIXTURE EXHIBITS UNDESIRABLE OPERATION (BUZZING, FLICKERING, ETC. OR IF THE UNIT'S LED STATUS INDICATOR IS FLASHING RED), IMMEDIATELY TURN OFF POWER AND CONTACT MANUFACTURER.

INDOOR USE ONLY.

HOW TO ORDER

Please specify components below using the letter code in bold to select the desired options.



Family	Model	Base Type	Fixture Number	Cord Length	Cord Termination	Wattage
S = Sentry	M1 = Fixture unit with Single UV Light Engine (F1) M2 = Fixture unit with Dual UV Light Engine (F2)	T = Tripod	1 = 1 fixture 2 = 2 fixtures 3 = 3 fixtures*	15 = 15 feet	P = Three-prong grounded plug	110 = 110V AC
Example order: S-M1-T-1-15-P-110						

* Only available for M1 fixtures

Sentry Tripod

Commissioning Form

Name

SO Number

Please choose a run time from the options below.

Single Cycle Mode

10 min 15 min 20 min 25 min 30 min

Unit will run either a 10, 15, 20, 25 or 30 min cycle once it is powered on. The unit will not run another cycle until the power has been disconnected and reconnected.

Notes

Full Name

Date

support@purolighting.com
Phone: (877) 452-8785 | Fax: (720) 713-7421