

The MicroEdge HLB LED series provides continuous dimming with reverse or forward phase cut dimmers.

HLB3

HLB3069271EMWR
HLB3069301EMWR
HLB3069351EMWR
HLB3069401EMWR

HLB4

HLB4069301EMWR
HLB4069401EMWR
HLB4069FS1EMWR
HLBPH4069FS1EMWR

HLB6

HLB6099301EMWR
HLB6099401EMWR
HLB6099FS1EMWR
HLBPH6099FS1EMWR

HLB8

HLB8169FS1EMWR
HLB8LS9FSE010MWR

HLB12

HLB12LS9FSE010MWR

HLB3S

HLB3S069271EMWR
HLB3S069301EMWR
HLB3S069351EMWR
HLB3S069401EMWR

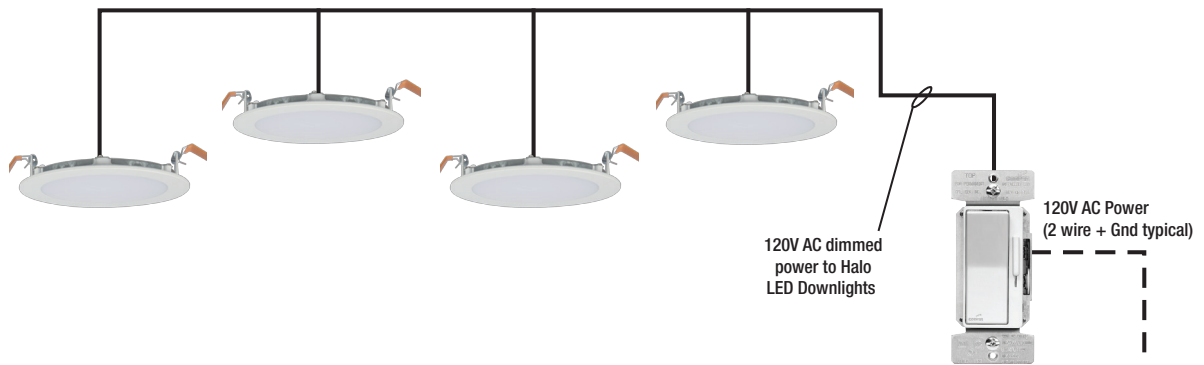
HLB4S

HLB4S069301EMWR
HLB4S069401EMWR
HLB4S069FS1EMWR

HLB6S

HLB6S099301EMWR
HLB6S099401EMWR
HLB6S099FS1EMWR

Phase Control Dimming



HALO HOME™



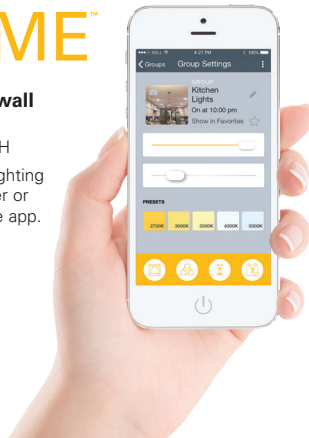
HALO Home In-wall Smart Dimmer

HIWMA1BLE40AWH

Controls standard lighting fixtures with dimmer or HALO Home mobile app.

Features include:

- ON/OFF
- Dim
- Group
- Scene
- Schedule



Compatible Dimmers

Dimmer Make	Dimmer Series	Dimmer Model #	Minimum Luminaires (per circuit)	Maximum Recommended Luminaires (per circuit)	Min Dimming percentage (%)	Max Dimming percentage (%)	Low End Start Time
Cooper Lighting Solutions	HALO Home	HIWMA1BLE40AWH	1	21	5%	98%	<1s
Lutron	RadioRA 2	RRD-6NA	1	16	10%	98%	<1s
Lutron	Maestro Wireless	MRF2-6ELV	1	16	10%	98%	<1s
Lutron	HomeWorks QS	HQRD-6NA	1	16	10%	98%	<1s
Lutron	HomeWorks	HxD-6ND	1	4	10%	97%	<1s
Lutron	Stanza	SZ-6ND	1	4	10%	97%	<1s
Lutron	Power Modules	PHPM-PA with Grafik Eye QS Main Unit	1	60	10%	98%	<1s
Lutron	Power Modules	PHPM-WBX with 3-wire fluorescent control	1	60	10%	98%	<1s
Lutron	Panel Module	HW/LP-RPM-4A-120	1	60	9%	98%	<1s
Lutron	Panel Module	HW/LP-RPM-4U-120	1	22	10%	98%	<1s
Lutron	Grafik QS/Wallbox Power Module	"Grafik Eye QS Main Unit Family/ LQRJ-WPM-6P"	1	22	10%	99%	<1s
Lutron	Panel Module	GP (Harrier) Card	1	22	10%	100%	<1s
Lutron	Grafik Eye 3000/HomeWorks	Grafik Eye 3000 Family/HWI-WPM-6D-120	1	22	10%	99%	<1s
Lutron	HomeWorks QS/myRoom	LQSE-4A1-D	1	13	10%	99%	<1s
Lutron	HomeWorks QS/myRoom	MQSE-4A1-D	1	13	10%	99%	<1s
Lutron	HomeWorks QS/myRoom	MQSE-3A1	1	13	10%	99%	<1s
Lutron	HomeWorks QS/myRoom	MQSE-2A1-D	1	13	10%	99%	<1s
Lutron	Grafik T	GT-5NEM	1	27	9%	99%	<1s
Lutron	Grafik T	GTJ-5NEM	1	27	9%	99%	<1s
Lutron	Diva	DVRP-253P	1	27	6%	100%	<1s
Lutron	Skylark Contour	CTRP-253P	1	27	6%	100%	<1s
Lutron	Nova T	NTRP-250	1	27	11%	100%	<1s
Lutron	Caseta Wireless Phase Selectable	PD-5NE	1	27	10%	99%	<1s
Lutron	Vive	MRF2S-6ELV	1	16	10%	98%	<1s
Lutron	HomeWorks QS	LQSE-4A-120-D	1	12	10%	97%	<1s

1. Shimmer at lower dim setting.

HLB3 / HLB3S - Dedicated

For Reference Only

Dimmer Make	Dimmer Series	Dimmer Model #	Minimum Luminaires (per circuit)	Maximum Recommended Luminaires (per circuit)	Min Dimming percentage (%)	Max Dimming percentage (%)	Low End Start Time
Leviton	SureSlide	6674	1	10	3%	97%	<1s ¹
Leviton	SureSlide	6631-2	1	43	1%	97%	<1s ¹
Leviton	Illuminatech	IPL06	1	10	3%	96%	<1s
Leviton	Vizia	VPI06	1	43	3%	98%	<1s
Leviton	Decora	6161	1	36	12%	96%	<1s
Lutron	Toggler	TG-600P	1	43	1%	94%	<1s ¹
Lutron	Maestro	MAW600	1	43	8%	97%	<1s
Lutron	Toggler	TGCL-153P	1	10	1%	90%	<1s ¹
Lutron	Lumea	LG600P	1	43	1%	68%	<1s ¹
Lutron	Skylark	SCL-153P-WH	1	10	1%	95%	<1s
Lutron	Diva	DV603P	1	43	1%	77%	<1s
Lutron	Diva	DVCL-153P	1	10	3%	95%	<1s
Lutron	Maestro	MACL-153-M	1	10	2%	92%	<1s
Leviton	Vizia	VPE06	1	43	2%	99%	<1s
Leviton	Illuminatech	IPE04	1	21	4%	99%	>1s
Leviton	Vizia	VZE04	1	29	10%	98%	<1s
Leviton	Acenti	ATX10	1	72	5%	97%	<1s
Lutron	Maestro	MAELV600	1	43	10%	98%	<1s
Lutron	Faetra	FAELV500	1	36	10%	97%	<1s
Lutron	Diva	DVELV303P	1	21	5%	96%	<1s ¹
Lutron	Skylark	SELV300P	1	21	5%	97%	<1s
Lightolier	Sunrise	ZP260QEWS	1	18	4%	96%	<1s
Eaton	Skye	SF8AP	1	69	3%	98%	<1s
Eaton	Devine	DE06P	1	43	3%	92%	<1s
Eaton	React	RI061	1	43	0%	98%	N.A. ²
Lutron	LCP128	LP-RPM-4U-120	1	35	1%	97%	<1s
Lutron	LCP128	LP-RPM-4A-120	1	22	4%	96%	<1s
Lutron	Ariadni	AY-600P	1	43	2%	95%	<1s ¹
Lutron	Contour	CT-103P	1	72	1%	96%	<1s
Lutron	Contour	CT-600P	1	43	1%	93%	<1s ¹
Lutron	Diva	DV-600P	1	43	1%	94%	<1s ¹
Lutron	Glyder	GL-600P	1	43	1%	95%	<1s ¹
Lutron	Lumia	LG-600PH	1	43	1%	94%	<1s ¹
Lutron	Maestro	MA-600	1	43	9%	97%	<1s
Lutron	Nova	N-600	1	43	2%	97%	<1s ¹
Lutron	Skylark	S-600P	1	43	1%	94%	>1s ¹
Lutron	Centurion	C-600P	1	43	2%	98%	<1s ¹
Lutron	Ariadni	AYLV-600P	1	32	3%	96%	<1s
Lutron	Glyder	GLV-600	1	32	1%	98%	<1s
Lutron	Diva	DVLV-600P	1	32	2%	96%	<1s
Lutron	Lumina	LG-103P	1	72	2%	96%	<1s
Lutron	Skylark	SLV-600P	1	32	1%	97%	<1s
Lutron	Nova	NTLV-600	1	32	7%	98%	<1s
Lutron	Nova	NT-600	1	43	4%	98%	>1s
Eaton	Smart	AAL06	1	21	1%	96%	<1s ¹
Eaton	Devine	TAL06P	1	21	1%	98%	<1s
Eaton	Toggle	DAL06P	1	21	5%	99%	<1s
Eaton	Skye	SAL06P	1	21	4%	99%	<1s ¹
Eaton	Skye	SLC03P	1	21	2%	97%	<1s
Eaton	Devine	DLC03P	1	21	1%	97%	<1s
Eaton	Smart	RF9540-N	1	21	19%	96%	<1s

1. Shimmer at lower dim setting.
2. Dim to off.

Compatible Dimmers

Dimmer Make	Dimmer Series	Dimmer Model #	Minimum Luminaires (per circuit)	Maximum Recommended Luminaires (per circuit)	Min Dimming percentage (%)	Max Dimming percentage (%)	Low End Start Time
Cooper Lighting Solutions	HALO Home	HIWMA1BLE40AWH	1	22	2%	99%	<1s
Lutron	Diva	C-L wall-mount dimmers (T8,T9)	1	14	9%	96%	<1S
Lutron	Skylark	C-L wall-mount dimmers (T8,T9)	1	14	9%	96%	<1S
Lutron	Skylark Contour	C-L wall-mount dimmers (T8,T9)	1	14	9%	96%	<1S
Lutron	Ariadni / Toggler	C-L wall-mount dimmers (T8,T9)	1	14	9%	96%	<1S
Lutron	Lumea	C-L wall-mount dimmers (T8,T9)	1	14	9%	96%	<1S
Lutron	Maestro	MACL-153M	1	14	9%	89%	<1S
Lutron	HomeWorks	HxD-6ND	1	5	9%	98%	<1S
Lutron	Power Modules	PHPM-PA with Grafik Eye QS Main Unit	1	86	10%	100%	<1S
Lutron	Power Modules	PHPM-WBX with 3-wire fluorescent control	1	86	10%	100%	<1S
Lutron	Panel Module	HW/LP-RPM-4A-120	1	86	9%	98%	<1S
Lutron	Panel Module	HW/LP-RPM-4U-120	1	27	9%	99%	<1S
Lutron	Grafik QS/Wallbox Power Module	"Grafik Eye QS Main Unit Family/ LQRJ-WPM-6P"	1	27	9%	99%	<1S
Lutron	Panel Module	GP (Harrier) Card	1	27	9%	99%	<1S
Lutron	Maestro Sensor	MSCL-OP153M(T2)	1	14	9%	90%	<1S
Lutron	Maestro Sensor	MSCL-VP153M(T2)	1	14	9%	90%	<1S
Lutron	Grafik Eye 3000/HomeWorks	Grafik Eye 3000 Family/HWI-WPM-6D-120	1	27	9%	99%	<1S
Lutron	Caseta Wireless	PD-6WCL (SD11)	1	14	10%	90%	<1S
Lutron	RadioRA 2	RRD-6CL (R3)	1	14	15%	92%	<1S
Lutron	Maestro Wireless	MRF2-6CL (M6)	1	14	15%	92%	<1S
Lutron	HomeWorks QS	HQRD-6CL (H2)	1	14	15%	92%	<1S
Lutron	HomeWorks QS	HQRA-6CL (H2)	1	14	15%	92%	<1S
Lutron	RadioRA 2	RRD-H6BRL (with neutral)	1	9	15%	99%	<1S
Lutron	HomeWorks QS	HQRD-H6BRL (with neutral)	1	9	15%	99%	<1S
Lutron	HomeWorks QS/myRoom	LQSE-4A1-D	1	10	10%	100%	<1S
Lutron	HomeWorks QS/myRoom	MQSE-4A1-D	1	10	10%	100%	<1S
Lutron	HomeWorks QS/myRoom	MQSE-3A1	1	10	10%	100%	<1S
Lutron	HomeWorks QS/myRoom	MQSE-2A1-D	1	10	10%	100%	<1S
Lutron	Grafik T	GT-5NEM	1	23	4%	99%	<1S
Lutron	Grafik T	GTJ-5NEM	1	23	4%	99%	<1S
Lutron	Diva	DVRP-253P	1	23	5%	91%	<1S
Lutron	Skylark Contour	CTRP-253P	1	23	5%	91%	<1S
Lutron	Nova T	NTRP-250	1	23	3%	91%	<1S
Lutron	Skylark Contour Slide to Off	CTCL-150	1	14	9%	96%	<1S
Lutron	Caseta Wireless Phase Selectable	PD-5NE	1	23	5%	99%	<1S
Lutron	Vive	MRF2S-6CL	1	14	15%	92%	<1S
Lutron	HomeWorks QS	LQSE-4A-120-D	1	15	10%	100%	<1S
Lutron	Lumea Slide-to-Off	LECL-150H	1	14	9%	96%	<1S
Lutron	Caseta Wireless	PD-6WCL (SD12)	1	14	5%	92%	<1S

HLB4 / HLB4S - Dedicated

For Reference Only

Dimmer Make	Dimmer Series	Dimmer Model #	Minimum Luminaires (per circuit)	Maximum Recommended Luminaires (per circuit)	Min Dimming percentage (%)	Max Dimming percentage (%)	Low End Start Time
Leviton	Decora	6673	1	45	12%	97%	<1s
Leviton	SureSlide	6674	1	11	1%	98%	<1s
Leviton	SureSlide	6631-2	1	45	0%	98%	N.A. ¹
Leviton	Illuminatech	IPL06	1	11	1%	97%	<1s
Leviton	Vizia	VP106	1	45	3%	97%	>1s
Leviton	Decora	6161	1	38	7%	98%	>1s
Leviton	SureSlide	6633-P	1	45	0%	99%	N.A. ¹
Lutron	Toggler	TG-600P	1	45	0%	97%	<1s
Lutron	Nova T	NTFTU-6A	1	11	16%	99%	<1s
Lutron	Maestro	MAW600	1	45	5%	98%	>1s
Lutron	Toggler	TGCL-153P	1	11	0%	96%	N.A. ¹
Lutron	Lumea	LG600P	1	45	0%	97%	N.A. ¹
Lutron	Skylark	SCL-153P-WH	1	11	0%	95%	<1s
Lutron	Diva	DV603P	1	45	0%	97%	N.A. ¹
Lutron	Diva	DVCL-153P	1	11	0%	95%	<1s
Lutron	Maestro	MACL-153-M	1	11	1%	87%	<1s
Leviton	Vizia	VPE06	1	45	4%	99%	<1s
Leviton	Illuminatech	IPE04	1	22	1%	99%	<1s
Leviton	Vizia	VZE04	1	30	5%	98%	<1s
Leviton	Acenti	ATX10	1	76	3%	97%	>1s
Lutron	Maestro	MAELV600	1	45	6%	98%	<1s
Lutron	Faetra	FAELV500	1	38	6%	98%	<1s
Lutron	Diva	DVELV303P	1	22	3%	97%	<1s
Lutron	Skylark	SELV300P	1	22	3%	98%	<1s
Lightolier	Sunrise	ZP260QEW	1	19	3%	97%	<1s
Eaton	Aspire	9530AW	1	45	0%	99%	N.A. ¹
Eaton	Skye	SF8AP	1	73	7%	99%	<1s
Eaton	Devine	DE06P	1	45	1%	87%	<1s
Eaton	React	RI061	1	45	0%	98%	N.A. ¹
Eaton	Toggle	TI061	1	45	0%	81%	N.A. ¹
Lutron	LCP128	LP-RPM-4U-120	1	35	0%	98%	<1s
Lutron	LCP128	LP-RPM-4A-120	1	22	3%	98%	<1s
Lutron	Ariadni	AY-600P	1	45	0%	98%	<1s
Lutron	Contour	CT-103P	1	76	0%	97%	N.A. ¹
Lutron	Contour	CT-600P	1	45	0%	97%	N.A. ¹
Lutron	Rotary	D-600P	1	45	0%	95%	N.A. ¹
Lutron	Diva	DV-600P	1	45	0%	96%	N.A. ¹
Lutron	Glyder	GL-600P	1	45	0%	97%	N.A. ¹
Lutron	Lumia	LG-600PH	1	45	0%	97%	N.A. ¹
Lutron	Maestro	MA-600	1	45	6%	98%	>1s
Lutron	Nova	N-600	1	45	0%	98%	<1s
Lutron	Skylark	S-600P	1	45	0%	97%	N.A. ¹
Lutron	Centurion	C-600P	1	45	0%	98%	<1s
Lutron	Ariadni	AYLV-600P	1	34	0%	99%	<1s
Lutron	Glyder	GLV-600	1	34	0%	99%	N.A. ¹
Lutron	Diva	DVLV-600P	1	34	0%	97%	<1s
Lutron	Lumina	LG-103P	1	76	0%	97%	<1s
Lutron	Skylark	SLV-600P	1	34	0%	97%	N.A. ¹
Lutron	Nova	NTLV-600	1	34	3%	96%	<1s
Lutron	Nova	NT-600	1	45	1%	97%	<1s
Eaton	Smart	AAL06	1	22	2%	98%	<1s
Eaton	Devine	TAL06P	1	22	2%	98%	<1s
Eaton	Toggle	DAL06P	1	22	2%	99%	<1s
Eaton	Skye	SAL06P	1	22	2%	99%	<1s
Eaton	Skye	SLC03P	1	22	3%	97%	<1s
Eaton	Devine	DLC03P	1	22	2%	98%	<1s
Eaton	Smart	RF9540-N	1	22	9%	98%	<1s

1. Dim to off.

Compatible Dimmers

Dimmer Make	Dimmer Series	Dimmer Model #	Minimum Luminaires (per circuit)	Maximum Recommended Luminaires (per circuit)	Min Dimming percentage (%)	Max Dimming percentage (%)	Low End Start Time
Cooper Lighting Solutions	HALO Home	HIWMA1BLE40AWH	1	20	3%	100%	<1s
Lutron	Diva	C-L wall-mount dimmers (T8, T9)	1	12	10%	98%	<1s
Lutron	Skylark	C-L wall-mount dimmers (T8, T9)	1	12	10%	98%	<1s
Lutron	Skylark Contour	C-L wall-mount dimmers (T8, T9)	1	12	10%	98%	<1s
Lutron	Ariadni / Toggler	C-L wall-mount dimmers (T8, T9)	1	12	10%	98%	<1s
Lutron	Lumea	C-L wall-mount dimmers (T8, T9)	1	12	10%	98%	<1s
Lutron	RadioRA 2	RRD-10ND	1	12	8%	99%	<1s
Lutron	HomeWorks QS	HQRD-10ND	1	12	8%	99%	<1s
Lutron	RadioRA 2	RRD-6NA	1	12	9%	100%	<1s
Lutron	Maestro Wireless	MRF2-6ELV	1	12	9%	100%	<1s
Lutron	HomeWorks QS	HQRD-6NA	1	12	9%	100%	<1s
Lutron	HomeWorks	HxD-6ND	1	6	9%	99%	<1s
Lutron	Stanza	SZ-6ND	1	6	9%	99%	<1s
Lutron	Power Modules	PHPM-PA with Grafik Eye QS Main Unit	1	136	9%	100%	<1s
Lutron	Power Modules	PHPM-WBX with 3-wire fluorescent control	1	136	9%	100%	<1s
Lutron	Panel Module	HW/LP-RPM-4A-120	1	85	9%	100%	<1s
Lutron	Panel Module	HW/LP-RPM-4U-120	1	27	10%	100%	<1s
Lutron	Grafik QS/Wallbox Power Module	"Grafik Eye QS Main Unit Family/ LQRJ-WPM-6P"	1	27	10%	100%	<1s
Lutron	Panel Module	GP (Harrier) Card	1	27	9%	100%	<1s
Lutron	Maestro Sensor	MSCL-OP153M(T2)	1	12	9%	96%	<1s
Lutron	Maestro Sensor	MSCL-VP153M(T2)	1	12	9%	96%	<1s
Lutron	Grafik Eye 3000/HomeWorks	Grafik Eye 3000 Family/HWI-WPM-6D-120	1	27	10%	100%	<1s
Lutron	Caseta Wireless	PD-6WCL (SD11)	1	12	10%	96%	<1s
Lutron	RadioRA 2	RRD-6CL (R3)	1	12	9%	97%	<1s
Lutron	Maestro Wireless	MRF2-6CL (M6)	1	12	9%	97%	<1s
Lutron	HomeWorks QS	HQRD-6CL (H2)	1	12	9%	97%	<1s
Lutron	HomeWorks QS	HQRA-6CL (H2)	1	12	9%	97%	<1s
Lutron	RadioRA 2	RRD-H6BRL (with neutral)	1	8	10%	97%	<1s
Lutron	HomeWorks QS	HQRD-H6BRL (with neutral)	1	8	10%	97%	<1s
Lutron	HomeWorks QS/myRoom	LQSE-4A1-D	1	8	9%	100%	<1s
Lutron	HomeWorks QS/myRoom	MQSE-4A1-D	1	8	9%	100%	<1s
Lutron	HomeWorks QS/myRoom	MQSE-3A1	1	8	9%	100%	<1s
Lutron	HomeWorks QS/myRoom	MQSE-2A1-D	1	8	9%	100%	<1s
Lutron	Grafik T	GT-5NEM	1	21	10%	100%	<1s
Lutron	Grafik T	GTJ-5NEM	1	21	10%	100%	<1s
Lutron	Nova T	NTRP-250	1	21	7%	100%	<1s
Lutron	Skylark Contour Slide to Off	CTCL-150	1	12	10%	98%	<1s
Lutron	Caseta Wireless Phase Selectable	PD-5NE	1	21	10%	99%	<1s
Lutron	Vive	MRF2S-6ELV	1	12	9%	100%	<1s
Lutron	Vive	MRF2S-6CL	1	12	9%	97%	<1s
Lutron	HomeWorks QS	LQSE-4A-120-D	1	17	10%	100%	<1s
Lutron	Maestro	MACL-LFQ	1	6	10%	99%	<1s
Lutron	Lumea Slide-to-Off	LECL-150H	1	12	10%	98%	<1s
Lutron	Caseta Wireless	PD-6WCL(SD12)	1	12	10%	97%	<1s

For Reference Only

Dimmer Make	Dimmer Series	Dimmer Model #	Minimum Luminaires (per circuit)	Maximum Recommended Luminaires (per circuit)	Min Dimming percentage (%)	Max Dimming percentage (%)	Low End Start Time
Leviton	Decora	6673	1	40	9%	99%	<1s
Leviton	SureSlide	6674	1	10	2%	100%	<1s
Leviton	SureSlide	6631-2	1	40	0%	100%	N.A.
Leviton	Illuminatech	IPL06	1	10	1%	99%	<1s
Leviton	Vizia	VP106	1	40	2%	100%	>1s
Leviton	Decora	6161	1	33	7%	100%	>1s
Leviton	SureSlide	6633-P	1	40	0%	100%	N.A. ¹
Lutron	Toggler	TG-600P	1	40	0%	98%	N.A. ¹
Lutron	Nova T	NTFTU-6A	1	11	20%	100%	<1s
Lutron	Maestro	MAW600	1	40	0%	100%	N.A. ¹
Lutron	Toggler	TGCL-153P	1	10	3%	100%	<1s
Lutron	Lumea	LG600P	1	40	5%	99%	<1s ¹
Lutron	Skylark	SCL-153P-WH	1	10	4%	99%	<1s
Lutron	Diva	DV603P	1	40	0%	100%	N.A. ¹
Lutron	Diva	DVCL-153P	1	10	5%	99%	<1s
Lutron	Maestro	MACL-153-M	1	10	4%	92%	<1s
Leviton	Vizia	VPE06	1	40	5%	100%	<1s
Leviton	Illuminatech	IPE04	1	20	3%	100%	<1s
Leviton	Vizia	VZE04	1	26	6%	100%	<1s
Leviton	Acenti	ATX10	1	66	3%	100%	<1s
Lutron	Maestro	MAELV600	1	40	7%	100%	<1s
Lutron	Faetra	FAELV500	1	33	6%	100%	<1s
Lutron	Diva	DVELV303P	1	20	3%	100%	<1s
Lutron	Skylark	SELV300P	1	20	3%	100%	<1s
Lightolier	Sunrise	ZP260QEW	1	17	5%	100%	<1s
Eaton	Aspire	9530AW	1	40	0%	100%	N.A. ¹
Eaton	Devine	DE06P	1	40	1%	92%	>1s
Eaton	React	RI061	1	40	0%	100%	N.A. ¹
Eaton	Toggle	TI061	1	40	0%	87%	N.A. ¹
Lutron	LCP128	LP-RPM-4U-120	1	35	0%	100%	N.A. ¹
Lutron	LCP128	LP-RPM-4A-120	1	22	2%	100%	<1s
Lutron	Ariadni	AY-600P	1	40	0%	100%	N.A. ¹
Lutron	Contour	CT-103P	1	66	0%	99%	N.A. ¹
Lutron	Contour	CT-600P	1	40	0%	99%	N.A. ¹
Lutron	Rotary	D-600P	1	40	0%	97%	N.A. ¹
Lutron	Diva	DV-600P	1	40	0%	99%	N.A. ¹
Lutron	Glyder	GL-600P	1	40	0%	100%	N.A. ¹
Lutron	Lumia	LG-600PH	1	40	0%	99%	N.A. ¹
Lutron	Maestro	MA-600	1	40	4%	100%	<1s
Lutron	Nova	N-600	1	40	0%	100%	N.A. ¹
Lutron	Skylark	S-600P	1	40	0%	99%	N.A. ¹
Lutron	Centurion	C-600P	1	40	0%	100%	>1s
Lutron	Ariadni	AYLV-600P	1	30	0%	100%	N.A. ¹
Lutron	Glyder	GLV-600	1	30	0%	100%	N.A. ¹
Lutron	Diva	DVLV-600P	1	30	0%	98%	N.A. ¹
Lutron	Lumina	LG-103P	1	66	0%	99%	N.A. ¹
Lutron	Skylark	SLV-600P	1	30	0%	100%	N.A. ¹
Lutron	Nova	NTLV-600	1	30	2%	100%	<1s
Lutron	Nova	NT-600	1	40	0%	100%	>1s ¹
Eaton	Devine	TAL06P	1	20	5%	100%	<1s
Eaton	Toggle	DAL06P	1	20	5%	100%	<1s
Eaton	Skye	SAL06P	1	20	5%	100%	<1s
Eaton	Skye	SLC03P	1	20	5%	100%	<1s
Eaton	Devine	DLC03P	1	20	5%	100%	<1s
Eaton	Smart	AAL06	1	20	5%	100%	<1s

1. Dim to off.



Compatible Dimmers

Dimmer Make	Dimmer Series	Dimmer Model #	Minimum Luminaires (per circuit)	Maximum Recommended Luminaires (per circuit)	Min Dimming percentage (%)	Max Dimming percentage (%)	Low End Start Time
Cooper Lighting Solutions	Halo Home	HIWMA1BLE40AWH	1	23	0%	99%	>1s ¹

1. Dim to off.

For Reference Only

Dimmer Make	Dimmer Series	Dimmer Model #	Minimum Luminaires (per circuit)	Maximum Recommended Luminaires (per circuit)	Min Dimming percentage (%)	Max Dimming percentage (%)	Low End Start Time
Leviton	SureSlide	6674	1	11	1%	99%	<1s
Leviton	SureSlide	6631-2	1	46	0%	99%	>1s ¹
Leviton	Illumatech	IPL06	1	11	1%	99%	<1s
Leviton	SureSlide	6633-P	1	46	0%	100%	>1s ¹
Lutron	Toggler	TG-600P	1	46	0%	98%	>1s ¹
Eaton (Bank 2)	RF Smart	RF9540-N	1	23	5%	99%	<1s
Lutron	Toggler	TGCL-153P	1	11	2%	98%	<1s
Lutron	Lumea	LG600P	1	46	0%	98%	>1s ¹
EWD	Universal	TUL06P-C2	1	23	3%	98%	<1s
EWD	Universal	SUL06P	1	23	2%	98%	<1s
Lutron	Skylark	SCL-153P-WH	1	11	2%	98%	<1s
Lutron	Diva	DV603P	1	46	0%	98%	>1s ¹
Lutron	Diva	DVCL-153P	1	11	2%	99%	<1s
Lutron	Maestro	MACL-153-M	1	11	8%	98%	<1s
Leviton (Bank 3)	Vizia	VPE06	1	46	6%	100%	<1s
Leviton	Legrand	H703PTU	1	23	17%	100%	>1s
Leviton	Vizia	VZE04	1	31	7%	100%	<1s
Leviton	Acenti	ATX10	1	77	13%	100%	<1s
Lutron	Maestro	MAELV600	1	46	9%	99%	<1s
Lutron	Faetra	FAELV500	1	38	0%	99%	>1s ¹
Lutron	Diva	DVELV303P	1	23	4%	99%	<1s
Lutron	Skylark	SELV300P	1	23	4%	99%	<1s
EWD	Smart	AAL06	1	23	7%	99%	<1s
Lightolier	Sunrise	ZP260QEW	1	20	6%	99%	<1s
Eaton (Bank 4)	Aspire	9530AW	1	46	0%	100%	>1s ¹
Eaton	Devine	DE06P	1	46	3%	97%	<1s
Eaton	React	RI061	1	46	0%	99%	<1s ¹
Eaton	Devine	TAL06P	1	23	6%	100%	<1s
Eaton	Toggle	DAL06P	1	23	5%	100%	<1s
Eaton	Skye	SAL06P	1	23	2%	100%	<1s
Eaton	Skye	SLC03P	1	23	3%	99%	<1s
Eaton	Devine	DLC03P	1	23	2%	99%	<1s
Eaton	Toggle	TI061	1	46	0%	95%	>1s ¹
Lutron(PANEL)Triac	LCP128	LP-RPM-4U-120	1	149	0%	100%	>1s ¹
Lutron(PANEL)ELV	LCP128	LP-RPM-4A-120	1	93	0%	100%	>1s ¹
Ecospec(PANEL)	LDCM	LDCM-PL-120-277-010V-GR	1	34	0%	101%	>1s ¹
Lutron (Bank 5)	Ariadni	AY-600P	1	46	0%	99%	>1s ¹
Lutron	Contour	CT-103P	1	77	0%	98%	>1s ¹
Lutron	Contour	CT-600P	1	46	0%	99%	>1s ¹
Lutron	Rotary	D-600P	1	46	0%	99%	>1s ¹
Lutron	Diva	DV-600P	1	46	0%	98%	>1s ¹
Lutron	Glyder	GL-600P	1	46	0%	99%	>1s ¹
Lutron	Lumia	LG-600PH	1	46	0%	100%	>1s ¹
Lutron	Maestro	MA-600	1	46	7%	100%	<1s
Lutron	Nova	N-600	1	46	1%	100%	<1s
Lutron	Skylark	S-600P	1	46	0%	99%	>1s ¹
Lutron (Bank 6)	Centurion	C-600P	1	46	2%	99%	<1s
Lutron	Ariadni	AYLV-600P	1	34	0%	98%	>1s ¹
Lutron	Glyder	GLV-600	1	34	0%	100%	>1s ¹
Lutron	Diva	DVLV-600P	1	34	0%	99%	>1s ¹
Lutron	Lumina	LG-103P	1	77	0%	99%	>1s ¹
Lutron	Skylark	SLV-600P	1	34	0%	99%	>1s ¹
EWD	Universal	DUL06P-C7	1	23	3%	99%	<1s
Lutron	Nova	NTLV-600	1	23	6%	100%	<1s
Lutron	Nova	NT-600	1	34	4%	100%	<1s

1. Dim to off.

Compatible Dimmers

Dimmer Make	Dimmer Series	Dimmer Model #	Minimum Luminaires (per circuit)	Maximum Recommended Luminaires (per circuit)	Min Dimming percentage (%)	Max Dimming percentage (%)	Low End Start Time
Cooper Lighting Solutions	HALO Home	HIWMA1BLE40AWH	1	22	2%	100%	<1s
Lutron	Diva	C-L wall-mount dimmers (T8,T9)	1	14	15%	97%	<1s
Lutron	Skylark	C-L wall-mount dimmers (T8,T9)	1	14	15%	97%	<1s
Lutron	Skylark Contour	C-L wall-mount dimmers (T8,T9)	1	14	15%	97%	<1s
Lutron	Ariadni / Toggler	C-L wall-mount dimmers (T8,T9)	1	14	15%	97%	<1s
Lutron	Lumea	C-L wall-mount dimmers (T8,T9)	1	14	15%	97%	<1s
Lutron	RadioRA 2	RRD-10ND	1	14	10%	98%	<1s
Lutron	HomeWorks QS	HQRD-10ND	1	14	10%	98%	<1s
Lutron	RadioRA 2	RRD-6NA	1	14	7%	98%	<1s
Lutron	Maestro Wireless	MRF2-6ELV	1	14	7%	98%	<1s
Lutron	HomeWorks QS	HQRD-6NA	1	14	7%	98%	<1s
Lutron	HomeWorks	HxD-6ND	1	6	10%	97%	<1s
Lutron	Stanza	SZ-6ND	1	6	10%	97%	<1s
Lutron	Power Modules	PHPM-PA with Grafik Eye QS Main Unit	1	135	10%	100%	<1s
Lutron	Power Modules	PHPM-WBX with 3-wire fluorescent control	1	135	10%	100%	<1s
Lutron	Panel Module	HW/LP-RPM-4A-120	1	109	10%	98%	<1s
Lutron	Panel Module	HW/LP-RPM-4U-120	1	27	10%	99%	<1s
Lutron	Grafik QS/Wallbox Power Module	"Grafik Eye QS Main Unit Family/ LQRJ-WPM-6P"	1	27	10%	100%	<1s
Lutron	Panel Module	GP (Harrier) Card	1	27	10%	99%	<1s
Lutron	Maestro Sensor	MSCL-OP153M(T2)	1	14	10%	93%	<1s
Lutron	Maestro Sensor	MSCL-VP153M(T2)	1	14	10%	93%	<1s
Lutron	Grafik Eye 3000/HomeWorks	Grafik Eye 3000 Family/HWI-WPM-6D-120	1	27	10%	100%	<1s
Lutron	Caseta Wireless	PD-6WCL (SD11)	1	14	15%	92%	<1s
Lutron	RadioRA 2	RRD-6CL (R3)	1	14	10%	94%	<1s
Lutron	Maestro Wireless	MRF2-6CL (M6)	1	14	10%	94%	<1s
Lutron	HomeWorks QS	HQRD-6CL (H2)	1	14	10%	94%	<1s
Lutron	HomeWorks QS	HQRA-6CL (H2)	1	14	10%	94%	<1s
Lutron	RadioRA 2	RRD-H6BRL (with neutral)	1	9	10%	95%	<1s
Lutron	HomeWorks QS	HQRD-H6BRL (with neutral)	1	9	10%	95%	<1s
Lutron	HomeWorks QS/myRoom	LQSE-4A1-D	1	10	10%	100%	<1s
Lutron	HomeWorks QS/myRoom	MQSE-4A1-D	1	10	10%	100%	<1s
Lutron	HomeWorks QS/myRoom	MQSE-3A1	1	10	10%	100%	<1s
Lutron	HomeWorks QS/myRoom	MQSE-2A1-D	1	10	10%	100%	<1s
Lutron	Grafik T	GT-5NEM	1	24	10%	99%	<1s
Lutron	Grafik T	GTJ-5NEM	1	24	10%	99%	<1s
Lutron	Nova T	NTRP-250	1	24	6%	100%	<1s
Lutron	Skylark Contour Slide to Off	CTCL-150	1	14	15%	97%	<1s
Lutron	Caseta Wireless Phase Selectable	PD-5NE	1	24	10%	98%	<1s
Lutron	Vive	MRF2S-6ELV	1	14	7%	98%	<1s
Lutron	Vive	MRF2S-6CL	1	14	10%	94%	<1s
Lutron	HomeWorks QS	LQSE-4A-120-D	1	22	10%	100%	<1s
Lutron	Maestro	MACL-LFQ	1	7	10%	96%	<1s
Lutron	Lumea Slide-to-Off	LECL-150H	1	14	15%	97%	<1s
Lutron	Caseta Wireless	PD-6WCL (SD12)	1	14	15%	93%	<1s

For Reference Only

Dimmer Make	Dimmer Series	Dimmer Model #	Minimum Luminaires (per circuit)	Maximum Recommended Luminaires (per circuit)	Min Dimming percentage (%)	Max Dimming percentage (%)	Low End Start Time
Leviton	Decora	6673	1	45	12%	96%	<1s
Leviton	SureSlide	6674	1	11	1%	97%	<1s
Leviton	SureSlide	6631-2	1	45	0%	97%	N.A. ¹
Leviton	Illuminatech	IPL06	1	11	0%	97%	<1s
Leviton	Vizia	VP106	1	45	2%	91%	<1s
Leviton	Decora	6161	1	38	7%	97%	<1s
Leviton	SureSlide	6633-P	1	45	0%	98%	N.A. ¹
Lutron	Toggler	TG-600P	1	45	0%	96%	N.A. ¹
Lutron	Nova T	NTFTU-6A	1	11	17%	98%	<1s
Lutron	Maestro	MAW600	1	45	5%	98%	<1s
Lutron	Toggler	TGCL-153P	1	11	0%	96%	<1s
Lutron	Lumea	LG600P	1	45	0%	97%	N.A. ¹
Lutron	Skylark	SCL-153P-WH	1	11	0%	96%	N.A. ¹
Lutron	Diva	DV603P	1	45	0%	97%	N.A. ¹
Lutron	Diva	DVCL-153P	1	11	0%	96%	<1s
Lutron	Maestro	MACL-153-M	1	11	0%	90%	<1s
Leviton	Vizia	VPE06	1	45	4%	99%	<1s
Leviton	Illuminatech	IPE04	1	22	1%	99%	<1s
Leviton	Vizia	VZE04	1	30	5%	99%	<1s
Leviton	Acenti	ATX10	1	76	3%	97%	>1s
Lutron	Maestro	MAELV600	1	45	6%	98%	<1s
Lutron	Faedra	FAELV500	1	38	5%	98%	<1s
Lutron	Diva	DVELV303P	1	22	2%	97%	<1s
Lutron	Skylark	SELV300P	1	22	2%	97%	<1s
Lightolier	Sunrise	ZP260QEW	1	19	2%	97%	<1s
Eaton	Aspire	9530AW	1	45	0%	99%	N.A. ¹
Eaton	Skye	SF8AP	1	73	6%	99%	<1s
Eaton	Devine	DE06P	1	45	0%	89%	>1s
Eaton	React	RI061	1	45	0%	99%	N.A. ¹
Eaton	Toggle	TI061	1	45	0%	83%	N.A. ¹
Lutron	LCP128	LP-RPM-4U-120	1	35	0%	98%	<1s
Lutron	LCP128	LP-RPM-4A-120	1	22	3%	97%	<1s
Lutron	Ariadni	AY-600P	1	45	0%	97%	N.A. ¹
Lutron	Contour	CT-103P	1	76	0%	97%	N.A. ¹
Lutron	Contour	CT-600P	1	45	0%	97%	N.A. ¹
Lutron	Rotary	D-600P	1	45	0%	96%	N.A. ¹
Lutron	Diva	DV-600P	1	45	0%	97%	N.A. ¹
Lutron	Glyder	GL-600P	1	45	0%	97%	N.A. ¹
Lutron	Lumia	LG-600PH	1	45	0%	96%	N.A. ¹
Lutron	Maestro	MA-600	1	45	5%	98%	>1s
Lutron	Nova	N-600	1	45	0%	99%	N.A. ¹
Lutron	Skylark	S-600P	1	45	0%	97%	N.A. ¹
Lutron	Centurion	C-600P	1	45	0%	98%	<1s
Lutron	Ariadni	AYLV-600P	1	34	0%	97%	<1s
Lutron	Glyder	GLV-600	1	34	0%	98%	N.A. ¹
Lutron	Diva	DVLV-600P	1	34	0%	96%	N.A. ¹
Lutron	Lumina	LG-103P	1	76	0%	97%	N.A. ¹
Lutron	Skylark	SLV-600P	1	34	0%	97%	N.A. ¹
Lutron	Nova	NTLV-600	1	34	3%	98%	<1s
Lutron	Nova	NT-600	1	45	1%	99%	<1s
Eaton	Smart	AAL06	1	22	4%	98%	<1s
Eaton	Devine	TAL06P	1	22	1%	99%	<1s
Eaton	Toggle	DAL06P	1	22	2%	99%	<1s
Eaton	Skye	SAL06P	1	22	1%	98%	<1s
Eaton	Skye	SLC03P	1	22	2%	97%	<1s
Eaton	Devine	DLC03P	1	22	1%	98%	<1s
Eaton	Smart	RF9540-N	1	22	9%	98%	<1s

1. Dim to off.

HLB6 / HLB6S - Dedicated

Compatible Dimmers

Dimmer Make	Dimmer Series	Dimmer Model #	Minimum Luminaires (per circuit)	Maximum Recommended Luminaires (per circuit)	Min Dimming percentage (%)	Max Dimming percentage (%)	Low End Start Time
Cooper Lighting Solutions	HALO Home	HIWMA1BLE40AWH	1	17	3%	98%	<1s
Lutron	Diva	C-L wall-mount dimmers (T8,T9)	1	10	10%	97%	<1S
Lutron	Skylark	C-L wall-mount dimmers (T8,T9)	1	10	10%	97%	<1S
Lutron	Skylark Contour	C-L wall-mount dimmers (T8,T9)	1	10	10%	97%	<1S
Lutron	Ariadni / Toggler	C-L wall-mount dimmers (T8,T9)	1	10	10%	97%	<1S
Lutron	Lumea	C-L wall-mount dimmers (T8,T9)	1	10	10%	97%	<1S
Lutron	Maestro	MACL-153M	1	10	10%	96%	<1S
Lutron	RadioRA 2	RRD-10ND	1	10	9%	99%	<1S
Lutron	HomeWorks QS	HQRD-10ND	1	10	9%	99%	<1S
Lutron	RadioRA 2	RRD-6NA	1	10	9%	98%	<1S
Lutron	Maestro Wireless	MRF2-6ELV	1	10	9%	98%	<1S
Lutron	HomeWorks QS	HQRD-6NA	1	10	9%	98%	<1S
Lutron	HomeWorks	HxD-6ND	1	4	10%	97%	<1S
Lutron	Stanza	SZ-6ND	1	4	10%	97%	<1S
Lutron	Power Modules	PHPM-PA with Grafik Eye QS Main Unit	1	127	10%	100%	<1S
Lutron	Power Modules	PHPM-WBX with 3-wire fluorescent control	1	127	10%	100%	<1S
Lutron	Panel Module	HW/LP-RPM-4A-120	1	79	10%	99%	<1S
Lutron	Panel Module	HW/LP-RPM-4U-120	1	22	10%	99%	<1S
Lutron	Grafik QS/Wallbox Power Module	"Grafik Eye QS Main Unit Family/ LQRJ-WPM-6P"	1	22	10%	99%	<1S
Lutron	Panel Module	GP (Harrier) Card	1	22	10%	98%	<1S
Lutron	Maestro Sensor	MSCL-0P153M(T2)	1	10	10%	92%	<1S
Lutron	Maestro Sensor	MSCL-VP153M(T2)	1	10	10%	92%	<1S
Lutron	Grafik Eye 3000/HomeWorks	Grafik Eye 3000 Family/HWI-WPM-6D-120	1	22	10%	99%	<1S
Lutron	Caseta Wireless	PD-6WCL (SD11)	1	10	10%	93%	<1S
Lutron	RadioRA 2	RRD-6CL (R3)	1	10	10%	94%	<1S
Lutron	Maestro Wireless	MRF2-6CL (M6)	1	10	10%	94%	<1S
Lutron	HomeWorks QS	HQRD-6CL (H2)	1	10	10%	94%	<1S
Lutron	HomeWorks QS	HQRA-6CL (H2)	1	10	10%	94%	<1S
Lutron	RadioRA 2	RRD-H6BRL (with neutral)	1	7	10%	94%	<1S
Lutron	HomeWorks QS	HQRD-H6BRL (with neutral)	1	7	10%	94%	<1S
Lutron	HomeWorks QS/myRoom	LQSE-4A1-D	1	7	10%	100%	<1S
Lutron	HomeWorks QS/myRoom	MQSE-4A1-D	1	7	10%	100%	<1S
Lutron	HomeWorks QS/myRoom	MQSE-3A1	1	7	10%	100%	<1S
Lutron	HomeWorks QS/myRoom	MQSE-2A1-D	1	7	10%	100%	<1S
Lutron	Grafik T	GT-5NEM	1	17	10%	97%	<1S
Lutron	Grafik T	GTJ-5NEM	1	17	10%	97%	<1S
Lutron	Diva	DVRP-253P	1	17	4%	100%	<1S
Lutron	Skylark Contour	CTRP-253P	1	17	4%	100%	<1S
Lutron	Nova T	NTRP-250	1	17	0%	100%	<1S
Lutron	Skylark Contour Slide to Off	CTCL-150	1	10	10%	97%	<1S
Lutron	Caseta Wireless Phase Selectable	PD-5NE	1	17	10%	98%	<1S
Lutron	Vive	MRF2S-6ELV	1	10	9%	98%	<1S
Lutron	Vive	MRF2S-6CL	1	10	10%	94%	<1S
Lutron	HomeWorks QS	LQSE-4A-120-D	1	16	10%	100%	<1S
Lutron	Maestro	MACL-LFQ	1	5	10%	97%	<1S
Lutron	Lumea Slide-to-Off	LECL-150H	1	10	10%	97%	<1S
Lutron	Caseta Wireless	PD-6WCL (SD12)	1	10	10%	94%	<1S

HLB6 / HLB6S - Dedicated

For Reference Only

Dimmer Make	Dimmer Series	Dimmer Model #	Minimum Luminaires (per circuit)	Maximum Recommended Luminaires (per circuit)	Min Dimming percentage (%)	Max Dimming percentage (%)	Low End Start Time
Leviton	Decora	6673	1	34	10%	96%	<1s
Leviton	SureSlide	6674	1	8	1%	97%	<1s
Leviton	SureSlide	6631-2	1	34	0%	97%	N.A. ¹
Leviton	Illuminatech	IPL06	1	8	0%	96%	<1s
Leviton	Vizia	VP106	1	34	2%	96%	>1s
Leviton	Decora	6161	1	28	7%	98%	>1s
Leviton	SureSlide	6633-P	1	34	0%	98%	N.A. ¹
Lutron	Toggler	TG-600P	1	34	0%	94%	N.A. ¹
Lutron	Maestro	MAW600	1	34	3%	98%	<1s
Lutron	Toggler	TGCL-153P	1	8	1%	96%	<1s
Lutron	Lumea	LG600P	1	34	0%	97%	N.A. ¹
Lutron	Skylark	SCL-153P-WH	1	8	0%	95%	<1s
Lutron	Diva	DV603P	1	34	0%	97%	N.A. ¹
Lutron	Diva	DVCL-153P	1	8	1%	95%	<1s
Lutron	Maestro	MACL-153-M	1	8	1%	90%	<1s
Leviton	Vizia	VPE06	1	34	5%	99%	<1s
Leviton	Illuminatech	IPE04	1	17	1%	99%	<1s
Leviton	Vizia	VZE04	1	22	6%	98%	<1s
Leviton	Acenti	ATX10	1	57	4%	97%	<1s
Lutron	Maestro	MAELV600	1	34	6%	98%	<1s
Lutron	Faetra	FAELV500	1	28	6%	98%	<1s
Lutron	Diva	DVELV303P	1	17	3%	98%	<1s
Lutron	Skylark	SELV300P	1	17	3%	97%	<1s
Lightolier	Sunrise	ZP260QEW	1	14	2%	96%	<1s
Eaton	Aspire	9530AW	1	34	0%	98%	N.A. ¹
Eaton	Devine	DE06P	1	34	1%	89%	<1s
Eaton	React	RI061	1	34	0%	98%	N.A. ¹
Eaton	Toggle	TI061	1	34	0%	84%	N.A. ¹
Lutron	LCP128	LP-RPM-4U-120	1	35	2%	98%	<1s
Lutron	LCP128	LP-RPM-4A-120	1	22	3%	97%	<1s
Lutron	Ariadni	AY-600P	1	34	0%	97%	N.A. ¹
Lutron	Contour	CT-103P	1	57	0%	96%	N.A. ¹
Lutron	Contour	CT-600P	1	34	0%	97%	N.A. ¹
Lutron	Rotary	D-600P	1	34	0%	96%	N.A. ¹
Lutron	Diva	DV-600P	1	34	0%	96%	N.A. ¹
Lutron	Glyder	GL-600P	1	34	0%	97%	N.A. ¹
Lutron	Lumia	LG-600PH	1	34	0%	97%	N.A. ¹
Lutron	Maestro	MA-600	1	34	4%	98%	<1s
Lutron	Nova	N-600	1	34	0%	98%	N.A. ¹
Lutron	Skylark	S-600P	1	34	0%	96%	N.A. ¹
Lutron	Centurion	C-600P	1	34	1%	99%	<1s
Lutron	Ariadni	AYLV-600P	1	25	0%	96%	<1s
Lutron	Glyder	GLV-600	1	25	0%	97%	N.A. ¹
Lutron	Diva	DVLV-600P	1	25	0%	96%	N.A. ¹
Lutron	Lumina	LG-103P	1	57	0%	96%	N.A. ¹
Lutron	Skylark	SLV-600P	1	25	0%	96%	N.A. ¹
Lutron	Nova	NTLV-600	1	25	4%	98%	<1s
Lutron	Nova	NT-600	1	34	1%	97%	<1s
Eaton	Smart	AAL06	1	17	3%	97%	<1s
Eaton	Devine	TAL06P	1	17	4%	98%	<1s
Eaton	Toggle	DAL06P	1	17	2%	98%	<1s
Eaton	Skye	SAL06P	1	17	3%	99%	<1s
Eaton	Skye	SLC03P	1	17	3%	97%	<1s
Eaton	Devine	DLC03P	1	17	2%	97%	<1s
Eaton	Smart	RF9540-N	1	17	16%	98%	<1s

1. Dim to off.

Compatible Dimmers

Dimmer Make	Dimmer Series	Dimmer Model #	Minimum Luminaires (per circuit)	Maximum Recommended Luminaires (per circuit)	Min Dimming percentage (%)	Max Dimming percentage (%)	Low End Start Time
Cooper Lighting Solutions	HALO Home	HIWMA1BLE40AWH	1	15	3%	100%	<1s
Lutron	Diva	C-L wall-mount dimmers (T8, T9)	1	9	9%	96%	<1s
Lutron	Skylark	C-L wall-mount dimmers (T8, T9)	1	9	9%	96%	<1s
Lutron	Skylark Contour	C-L wall-mount dimmers (T8, T9)	1	9	9%	96%	<1s
Lutron	Ariadni / Toggler	C-L wall-mount dimmers (T8, T9)	1	9	9%	96%	<1s
Lutron	Lumea	C-L wall-mount dimmers (T8, T9)	1	9	9%	96%	<1s
Lutron	RadioRA 2	RRD-10ND	1	9	7%	98%	<1s
Lutron	HomeWorks QS	HQRD-10ND	1	9	7%	98%	<1s
Lutron	RadioRA 2	RRD-6NA	1	9	7%	99%	<1s
Lutron	Maestro Wireless	MRF2-6ELV	1	9	7%	99%	<1s
Lutron	HomeWorks QS	HQRD-6NA	1	9	7%	99%	<1s
Lutron	HomeWorks	HxD-6ND	1	4	10%	97%	<1s
Lutron	Stanza	SZ-6ND	1	4	10%	97%	<1s
Lutron	Power Modules	PHPM-PA with Grafik Eye QS Main Unit	1	100	10%	98%	<1s
Lutron	Power Modules	PHPM-WBX with 3-wire fluorescent control	1	100	10%	98%	<1s
Lutron	Panel Module	HW/LP-RPM-4A-120	1	62	10%	98%	<1s
Lutron	Panel Module	HW/LP-RPM-4U-120	1	21	10%	100%	<1s
Lutron	Grafik QS/Wallbox Power Module	"Grafik Eye QS Main Unit Family/ LQRJ-WPM-6P"	1	21	10%	97%	<1s
Lutron	Panel Module	GP (Harrier) Card	1	21	10%	98%	<1s
Lutron	Maestro Sensor	MSCL-OP153M(T2)	1	9	9%	94%	<1s
Lutron	Maestro Sensor	MSCL-VP153M(T2)	1	9	9%	94%	<1s
Lutron	Grafik Eye 3000/HomeWorks	Grafik Eye 3000 Family/HWI-WPM-6D-120	1	21	10%	97%	<1s
Lutron	Caseta Wireless	PD-6WCL (SD11)	1	9	10%	93%	<1s
Lutron	RadioRA 2	RRD-6CL (R3)	1	9	9%	94%	<1s
Lutron	Maestro Wireless	MRF2-6CL (M6)	1	9	9%	94%	<1s
Lutron	HomeWorks QS	HQRD-6CL (H2)	1	9	9%	94%	<1s
Lutron	HomeWorks QS	HQRA-6CL (H2)	1	9	9%	94%	<1s
Lutron	RadioRA 2	RRD-H6BRL (with neutral)	1	6	10%	96%	<1s
Lutron	HomeWorks QS	HQRD-H6BRL (with neutral)	1	6	10%	96%	<1s
Lutron	HomeWorks QS/myRoom	LQSE-4A1-D	1	6	10%	98%	<1s
Lutron	HomeWorks QS/myRoom	MQSE-4A1-D	1	6	10%	98%	<1s
Lutron	HomeWorks QS/myRoom	MQSE-3A1	1	6	10%	98%	<1s
Lutron	HomeWorks QS/myRoom	MQSE-2A1-D	1	6	10%	98%	<1s
Lutron	Grafik T	GT-5NEM	1	15	8%	99%	<1s
Lutron	Grafik T	GTJ-5NEM	1	15	8%	99%	<1s
Lutron	Nova T	NTRP-250	1	15	5%	99%	<1s
Lutron	Skylark Contour Slide to Off	CTCL-150	1	9	9%	96%	<1s
Lutron	Caseta Wireless Phase Selectable	PD-5NE	1	15	8%	98%	<1s
Lutron	Vive	MRF2S-6ELV	1	9	7%	99%	<1s
Lutron	Vive	MRF2S-6CL	1	9	9%	94%	<1s
Lutron	HomeWorks QS	LQSE-4A-120-D	1	12	9%	98%	<1s
Lutron	Maestro	MACL-LFQ	1	4	9%	97%	<1s
Lutron	Lumea Slide-to-Off	LECL-150H	1	9	9%	96%	<1s
Lutron	Caseta Wireless	PD-6WCL(SD12)	1	9	10%	93%	<1s

For Reference Only

Dimmer Make	Dimmer Series	Dimmer Model #	Minimum Luminaires (per circuit)	Maximum Recommended Luminaires (per circuit)	Min Dimming percentage (%)	Max Dimming percentage (%)	Low End Start Time
Leviton	Decora	6673	1	30	9%	100%	<1s
Leviton	SureSlide	6674	1	7	5%	100%	<1s
Leviton	SureSlide	6631-2	2	30	0%	100%	N.A. ¹
Leviton	Illuminatech	IPL06	1	7	5%	100%	<1s
Leviton	Illuminatech	IPI06	2	30	2%	100%	>1s
Leviton	Vizia	VP106	1	30	2%	100%	>1s
Leviton	Decora	6161	1	25	6%	100%	>1s
Leviton	SureSlide	6633-P	1	30	0%	100%	N.A. ¹
Lutron	Toggler	TG-600P	1	30	0%	97%	N.A. ¹
Lutron	Nova T	NTFTU-6A	1	11	18%	100%	<1s
Lutron	Maestro	MAW600	3	30	5%	100%	<1s ¹
Lutron	Toggler	TGCL-153P	4	7	5%	100%	<1s
Lutron	Lumea	LG600P	1	30	0%	100%	N.A. ¹
Lutron	Skylark	SCL-153P-WH	1	7	5%	100%	<1s
Lutron	Diva	DV603P	1	30	0%	100%	N.A. ¹
Lutron	Diva	DVCL-153P	1	7	5%	100%	<1s
Lutron	Maestro	MACL-153-M	1	7	5%	93%	<1s
Leviton	Vizia	VPE06	1	30	3%	100%	<1s
Leviton	Illuminatech	IPE04	1	15	4%	100%	<1s
Leviton	Vizia	VZE04	1	20	4%	102%	<1s
Leviton	Acenti	ATX10	1	50	4%	100%	<1s
Lutron	Maestro	MAELV600	1	30	5%	100%	<1s
Lutron	Faetra	FAELV500	1	25	5%	100%	<1s
Lutron	Diva	DVELV303P	1	15	2%	100%	<1s
Lutron	Skylark	SELV300P	1	15	2%	100%	<1s
Lightolier	Sunrise	ZP260QEW	1	13	5%	100%	<1s
Eaton	Aspire	9530AW	1	30	0%	100%	N.A. ¹
Eaton	Skye	SF8AP	2	48	19%	100%	<1s
Eaton	Devine	DE06P	1	30	0%	92%	N.A. ¹
Eaton	React	RI061	1	30	0%	100%	N.A. ¹
Eaton	Toggle	TI061	1	30	0%	86%	N.A. ¹
Lutron	LCP128	LP-RPM-4U-120	1	35	0%	100%	N.A. ¹
Lutron	LCP128	LP-RPM-4A-120	1	22	1%	100%	<1s
Lutron	Ariadni	AY-600P	1	30	0%	100%	N.A. ¹
Lutron	Contour	CT-103P	1	50	0%	100%	N.A. ¹
Lutron	Contour	CT-600P	1	30	0%	100%	N.A. ¹
Lutron	Rotary	D-600P	1	30	0%	99%	N.A. ¹
Lutron	Diva	DV-600P	1	30	0%	99%	N.A. ¹
Lutron	Glyder	GL-600P	1	30	0%	99%	N.A. ¹
Lutron	Lumia	LG-600PH	1	30	0%	99%	N.A. ¹
Lutron	Maestro	MA-600	1	30	5%	100%	>1s
Lutron	Nova	N-600	1	30	0%	100%	N.A. ¹
Lutron	Skylark	S-600P	1	30	0%	99%	N.A. ¹
Lutron	Centurion	C-600P	1	30	0%	100%	>1s
Lutron	Ariadni	AYLV-600P	1	22	0%	100%	N.A. ¹
Lutron	Glyder	GLV-600	1	22	0%	100%	N.A. ¹
Lutron	Diva	DVLV-600P	1	22	0%	99%	N.A. ¹
Lutron	Lumina	LG-103P	1	50	0%	100%	N.A. ¹
Lutron	Skylark	SLV-600P	1	22	0%	100%	N.A. ¹
Lutron	Nova	NTLV-600	1	22	2%	100%	<1s
Lutron	Nova	NT-600	1	30	0%	100%	>1s ¹
Eaton	Devine	TAL06P	1	15	5%	100%	<1s
Eaton	Toggle	DAL06P	1	15	5%	100%	<1s
Eaton	Skye	SAL06P	1	15	5%	100%	<1s
Eaton	Skye	SLC03P	1	15	5%	100%	<1s
Eaton	Devine	DLC03P	1	15	5%	100%	<1s
Eaton	Smart	AAL06	1	15	5%	100%	<1s

1. Dim to off.



Compatible Dimmers

Dimmer Make	Dimmer Series	Dimmer Model #	Minimum Luminaires (per circuit)	Maximum Recommended Luminaires (per circuit)	Min Dimming percentage (%)	Max Dimming percentage (%)	Low End Start Time
Cooper Lighting Solutions	HALO Home	HIWMA1BLE40AWH	1	17	2%	99%	>1s

For Reference Only

Dimmer Make	Dimmer Series	Dimmer Model #	Minimum Luminaires (per circuit)	Maximum Recommended Luminaires (per circuit)	Min Dimming percentage (%)	Max Dimming percentage (%)	Low End Start Time
Leviton	SureSlide	6674	1	8	4%	97%	<1s
Leviton	SureSlide	6631-2	1	35	0%	98%	>1s ¹
Leviton	Illumatech	IPL06	1	8	5%	97%	<1s
Leviton	Decora	6161	1	29	7%	98%	<1s
Leviton	SureSlide	6633-P	1	35	0%	99%	>1s ¹
Lutron	Toggler	TG-600P	1	35	0%	96%	>1s ¹
Lutron	Nova T	NTFTU-6A	1	35	21%	99%	<1s
Eaton (Bank 2)	RF Smart	RF9540-N	1	17	3%	99%	<1s
Lutron	Maestro	MAW600	1	35	4%	98%	<1s
Lutron	Toggler	TGCL-153P	1	8	1%	97%	<1s
Lutron	Lumea	LG600P	1	35	0%	98%	>1s ¹
EWD	Universal	TUL06P-C2	1	17	2%	97%	<1s
EWD	Universal	SUL06P	1	17	1%	97%	<1s
Lutron	Skylark	SCL-153P-WH	1	8	1%	97%	<1s
Lutron	Diva	DV603P	1	35	0%	97%	>1s ¹
Lutron	Diva	DVCL-153P	1	8	1%	97%	<1s
Lutron	Maestro	MACL-153-M	1	8	7%	95%	<1s
Leviton (Bank 3)	Vizia	VPE06	1	35	4%	100%	<1s
Leviton	Legrand	H703PTU	1	17	12%	99%	<1s
Leviton	Vizia	VZE04	1	23	5%	100%	<1s
Leviton	Acenti	ATX10	1	58	9%	100%	<1s
Lutron	Maestro	MAELV600	1	35	7%	99%	<1s
Lutron	Faetra	FAELV500	1	29	0%	99%	>1s ¹
Lutron	Diva	DVELV303P	1	17	3%	98%	<1s
Lutron	Skylark	SELV300P	1	17	2%	98%	<1s
EWD	Smart	AAL06	1	17	5%	98%	<1s
Lightolier	Sunrise	ZP260QEW	1	15	4%	98%	<1s
Eaton (Bank 4)	Aspire	9530AW	1	35	0%	100%	>1s ¹
Eaton	Skye	SF8AP	1	56	26%	99%	<1s
Eaton	Devine	DE06P	1	35	1%	95%	>1s
Eaton	React	RI061	1	35	0%	99%	>1s ¹
Eaton	Devine	TAL06P	1	17	4%	99%	<1s
Eaton	Toggle	DAL06P	1	17	4%	99%	<1s
Eaton	Skye	SAL06P	1	17	3%	99%	<1s
Eaton	Skye	SLC03P	1	17	2%	98%	<1s
Eaton	Devine	DLC03P	1	17	1%	98%	<1s
Eaton	Toggle	TI061	1	35	0%	89%	>1s ¹
Lutron(PANEL)Triac	LCP128	LP-RPM-4U-120	1	112	0%	99%	>1s ¹
Lutron(PANEL)ELV	LCP128	LP-RPM-4A-120	1	70	0%	98%	>1s ¹
Ecospec(PANEL)	LDCM	LDCM-PL-120-277-010V-GR	1	26	0%	99%	>1s ¹
Lutron (Bank 5)	Ariadni	AY-600P	1	35	0%	98%	>1s ¹
Lutron	Contour	CT-103P	1	58	0%	97%	>1s ¹
Lutron	Contour	CT-600P	1	35	0%	97%	>1s ¹
Lutron	Rotary	D-600P	1	35	0%	97%	>1s ¹
Lutron	Diva	DV-600P	1	35	0%	97%	>1s ¹
Lutron	Glyder	GL-600P	1	35	0%	97%	>1s ¹
Lutron	Lumia	LG-600PH	1	35	0%	97%	>1s ¹
Lutron	Maestro	MA-600	1	35	5%	97%	<1s
Lutron	Nova	N-600	1	35	1%	98%	<1s
Lutron	Skylark	S-600P	1	35	0%	97%	>1s ¹
Lutron (Bank 6)	Centurion	C-600P	1	35	1%	99%	<1s
Lutron	Ariadni	AYLV-600P	1	26	0%	98%	>1s ¹
Lutron	Glyder	GLV-600	1	26	0%	99%	>1s ¹
Lutron	Diva	DVLV-600P	1	26	0%	97%	>1s ¹
Lutron	Lumina	LG-103P	1	58	0%	97%	>1s ¹
Lutron	Skylark	SLV-600P	1	26	0%	98%	>1s ¹
EWD	Universal	DUL06P-C7	1	17	1%	97%	<1s
Lutron	Nova	NTLV-600	1	17	4%	98%	<1s
Lutron	Nova	NT-600	1	26	1%	98%	<1s

1. Dim to off.

Compatible Dimmers

Dimmer Make	Dimmer Series	Dimmer Model #	Minimum Luminaires (per circuit)	Maximum Recommended Luminaires (per circuit)	Min Dimming percentage (%)	Max Dimming percentage (%)	Low End Start Time
Cooper Lighting Solutions	HALO Home	HIWMA1BLE40AWH	1	16	2%	99%	<1s
Lutron	Diva	C-L wall-mount dimmers (T8,T9)	1	10	10%	98%	<1S
Lutron	Skylark	C-L wall-mount dimmers (T8,T9)	1	10	10%	98%	<1S
Lutron	Skylark Contour	C-L wall-mount dimmers (T8,T9)	1	10	10%	98%	<1S
Lutron	Ariadni / Toggler	C-L wall-mount dimmers (T8,T9)	1	10	10%	98%	<1S
Lutron	Lumea	C-L wall-mount dimmers (T8,T9)	1	10	10%	98%	<1S
Lutron	Maestro	MACL-153M	1	10	10%	94%	<1S
Lutron	RadioRA 2	RRD-10ND	1	10	10%	99%	<1S
Lutron	HomeWorks QS	HQRD-10ND	1	10	10%	99%	<1S
Lutron	RadioRA 2	RRD-6NA	1	10	10%	98%	<1S
Lutron	Maestro Wireless	MRF2-6ELV	1	10	10%	98%	<1S
Lutron	HomeWorks QS	HQRD-6NA	1	10	10%	98%	<1S
Lutron	HomeWorks	HxD-6ND	1	4	10%	98%	<1S
Lutron	Stanza	SZ-6ND	1	4	10%	98%	<1S
Lutron	Power Modules	PHPM-PA with Grafik Eye QS Main Unit	1	84	10%	100%	<1S
Lutron	Power Modules	PHPM-WBX with 3-wire fluorescent control	1	84	10%	100%	<1S
Lutron	Panel Module	HW/LP-RPM-4A-120	1	78	10%	99%	<1S
Lutron	Panel Module	HW/LP-RPM-4U-120	1	22	10%	100%	<1S
Lutron	Grafik QS/Wallbox Power Module	"Grafik Eye QS Main Unit Family/ LQRJ-WPM-6P"	1	22	10%	99%	<1S
Lutron	Panel Module	GP (Harrier) Card	1	22	10%	99%	<1S
Lutron	Maestro Sensor	MSCL-0P153M(T2)	1	10	10%	93%	<1S
Lutron	Maestro Sensor	MSCL-VP153M(T2)	1	10	10%	93%	<1S
Lutron	Grafik Eye 3000/HomeWorks	Grafik Eye 3000 Family/HWI-WPM-6D-120	1	22	10%	99%	<1S
Lutron	Caseta Wireless	PD-6WCL (SD11)	1	10	10%	93%	<1S
Lutron	RadioRA 2	RRD-6CL (R3)	1	10	10%	94%	<1S
Lutron	Maestro Wireless	MRF2-6CL (M6)	1	10	10%	94%	<1S
Lutron	HomeWorks QS	HQRD-6CL (H2)	1	10	10%	94%	<1S
Lutron	HomeWorks QS	HQRA-6CL (H2)	1	10	10%	94%	<1S
Lutron	RadioRA 2	RRD-H6BRL (with neutral)	1	7	10%	95%	<1S
Lutron	HomeWorks QS	HQRD-H6BRL (with neutral)	1	7	10%	95%	<1S
Lutron	HomeWorks QS/myRoom	LQSE-4A1-D	1	7	10%	100%	<1S
Lutron	HomeWorks QS/myRoom	MQSE-4A1-D	1	7	10%	100%	<1S
Lutron	HomeWorks QS/myRoom	MQSE-3A1	1	7	10%	100%	<1S
Lutron	HomeWorks QS/myRoom	MQSE-2A1-D	1	7	10%	100%	<1S
Lutron	Grafik T	GT-5NEM	1	17	10%	99%	<1S
Lutron	Grafik T	GTJ-5NEM	1	17	10%	99%	<1S
Lutron	Nova T	NTRP-250	1	17	6%	100%	<1S
Lutron	Skylark Contour Slide to Off	CTCL-150	1	10	10%	98%	<1S
Lutron	Caseta Wireless Phase Selectable	PD-5NE	1	17	10%	99%	<1S
Lutron	Vive	MRF2S-6ELV	1	10	10%	98%	<1S
Lutron	Vive	MRF2S-6CL	1	10	10%	94%	<1S
Lutron	HomeWorks QS	LQSE-4A-120-D	1	15	10%	100%	<1S
Lutron	Maestro	MACL-LFQ	1	5	10%	98%	<1S
Lutron	Lumea Slide-to-Off	LECL-150H	1	10	10%	98%	<1S
Lutron	Caseta Wireless	PD-6WCL (SD12)	1	10	10%	94%	<1S

For Reference Only

Dimmer Make	Dimmer Series	Dimmer Model #	Minimum Luminaires (per circuit)	Maximum Recommended Luminaires (per circuit)	Min Dimming percentage (%)	Max Dimming percentage (%)	Low End Start Time
Leviton	Decora	6673	1	33	9%	95%	<1s
Leviton	SureSlide	6674	1	8	0%	97%	<1s
Leviton	SureSlide	6631-2	1	33	0%	98%	N.A. ¹
Leviton	Vizia	VP106	1	33	1%	96%	<1s
Leviton	Decora	6161	1	27	2%	97%	<1s
Leviton	SureSlide	6633-P	1	33	0%	99%	N.A. ¹
Lutron	Toggler	TG-600P	1	33	0%	93%	N.A. ¹
Lutron	Nova T	NTFTU-6A	1	11	19%	98%	<1s
Lutron	Maestro	MAW600	1	33	3%	96%	<1s
Lutron	Toggler	TGCL-153P	1	8	1%	94%	<1s
Lutron	Lumea	LG600P	1	33	0%	96%	N.A. ¹
Lutron	Skylark	SCL-153P-WH	1	8	0%	93%	N.A. ¹
Lutron	Diva	DV603P	1	33	0%	95%	N.A. ¹
Lutron	Diva	DVCL-153P	1	8	0%	93%	<1s
Lutron	Maestro	MACL-153-M	1	8	0%	87%	<1s
Leviton	Vizia	VPE06	1	33	4%	98%	<1s
Leviton	Illumatech	IPE04	1	16	1%	99%	<1s
Leviton	Vizia	VZE04	1	22	5%	98%	<1s
Leviton	Acenti	ATX10	1	55	2%	95%	<1s
Lutron	Maestro	MAELV600	1	33	1%	97%	<1s
Lutron	Faetra	FAELV500	1	27	1%	98%	<1s
Lutron	Diva	DVELV303P	1	16	2%	97%	<1s
Lutron	Skylark	SELV300P	1	16	2%	97%	<1s
Lightolier	Sunrise	ZP260QEW	1	14	1%	95%	<1s
Eaton	Aspire	9530AW	1	33	0%	99%	N.A. ¹
Eaton	Devine	DE06P	1	33	2%	86%	<1s
Eaton	React	RI061	1	33	0%	98%	N.A. ¹
Eaton	Toggle	TI061	1	33	0%	81%	N.A. ¹
Lutron	LCP128	LP-RPM-4U-120	1	35	2%	98%	<1s
Lutron	LCP128	LP-RPM-4A-120	1	22	1%	97%	<1s
Lutron	Ariadni	AY-600P	1	33	0%	97%	N.A. ¹
Lutron	Contour	CT-103P	1	55	0%	95%	N.A. ¹
Lutron	Contour	CT-600P	1	33	0%	95%	N.A. ¹
Lutron	Rotary	D-600P	1	33	0%	94%	N.A. ¹
Lutron	Diva	DV-600P	1	33	0%	95%	N.A. ¹
Lutron	Glyder	GL-600P	1	33	0%	95%	N.A. ¹
Lutron	Lumia	LG-600PH	1	33	0%	95%	N.A. ¹
Lutron	Maestro	MA-600	1	33	3%	96%	<1s
Lutron	Nova	N-600	1	33	0%	98%	N.A. ¹
Lutron	Skylark	S-600P	1	33	0%	95%	N.A. ¹
Lutron	Centurion	C-600P	1	33	0%	98%	<1s
Lutron	Ariadni	AYLV-600P	1	24	0%	97%	N.A. ¹
Lutron	Glyder	GLV-600	1	24	0%	98%	N.A. ¹
Lutron	Diva	DVLV-600P	1	24	0%	95%	N.A. ¹
Lutron	Lumina	LG-103P	1	55	0%	95%	N.A. ¹
Lutron	Skylark	SLV-600P	1	24	0%	96%	N.A. ¹
Lutron	Nova	NTLV-600	1	24	3%	97%	<1s
Lutron	Nova	NT-600	1	33	1%	98%	<1s
Eaton	Smart	AAL06	1	16	2%	97%	<1s
Eaton	Devine	TAL06P	1	16	2%	98%	<1s
Eaton	Toggle	DAL06P	1	16	1%	98%	<1s
Eaton	Skye	SAL06P	1	16	2%	98%	<1s
Eaton	Skye	SLC03P	1	16	2%	97%	<1s
Eaton	Devine	DLC03P	1	16	1%	98%	<1s
Eaton	Smart	RF9540-N	1	16	14%	97%	<1s

1. Dim to off.



Compatible Dimmers

Dimmer Make	Dimmer Series	Dimmer Model #	Minimum Luminaires (per circuit)	Maximum Recommended Luminaires (per circuit)	Min Dimming percentage (%)	Max Dimming percentage (%)	Low End Start Time
Cooper Lighting Solutions	HALO Home	HIWMA1BLE40AWH	1	11	3%	99%	<1s

For Reference Only

Dimmer Make	Dimmer Series	Dimmer Model #	Minimum Luminaires (per circuit)	Maximum Recommended Luminaires (per circuit)	Min Dimming percentage (%)	Max Dimming percentage (%)	Low End Start Time
Leviton	SureSlide	6674	1	5	1%	97%	<1s
Leviton	SureSlide	6631-2	1	22	0%	98%	N.A. ¹
Leviton	Illumatech	IPL06	1	5	1%	98%	<1s
Leviton	SureSlide	6633-P	1	22	0%	100%	N.A. ¹
Eaton	RF Smart	RF9540-N	1	11	2%	98%	<1s
Lutron	Toggler	TGCL-153P	1	5	1%	20%	<1s
EWD	Universal	TUL06P-C2	1	11	2%	97%	<1s
EWD	Universal	SUL06P	1	11	2%	97%	<1s
Lutron	Skylark	SCL-153P-WH	1	5	1%	97%	<1s
Lutron	Diva	DVCL-153P	1	5	1%	96%	<1s
Lutron	Maestro	MACL-153-M	1	5	2%	93%	<1s
Leviton	Vizia	VPE06	1	22	5%	99%	<1s
Leviton	Legrand	H703PTU	1	11	1%	99%	<1s
Leviton	Vizia	VZE04	1	14	6%	99%	<1s
Leviton	Acenti	ATX10	1	37	9%	99%	<1s
Lutron	Maestro	MAELV600	1	22	6%	99%	<1s
Lutron	Diva	DVELV303P	1	11	3%	97%	<1s
Lutron	Skylark	SELV300P	1	11	3%	98%	<1s
EWD	Smart	AAL06	1	11	1%	98%	<1s
Lightolier	Sunrise	ZP260QEW	1	9	2%	97%	<1s
Eaton	Aspire	9530AV	1	22	0%	100%	N.A. ¹
Eaton	Devine	DE06P	1	22	3%	95%	<1s
Eaton	Devine	TAL06P	1	11	1%	99%	<1s
Eaton	Toggle	DAL06P	1	11	1%	99%	<1s
Eaton	Skye	SAL06P	1	11	1%	99%	<1s
Eaton	Skye	SLC03P	1	11	1%	99%	<1s
Eaton	Devine	DLC03P	1	11	1%	99%	<1s
Eaton	Toggle	TI061	1	22	0%	91%	N.A. ¹
Lutron	LCP128	LP-RPM-4U-120	1	35	1%	99%	<1s
Lutron	LCP128	LP-RPM-4A-120	1	22	1%	98%	<1s
Ecospec	LDCM	LDCM-PL-120-277-010V-GR	1	16	0%	100%	N.A. ¹
Lutron	Contour	CT-103P	1	37	0%	99%	N.A. ¹
Lutron	Glyder	GL-600P	1	22	0%	99%	N.A. ¹
Lutron	Nova	N-600	1	22	0%	99%	N.A. ¹
Lutron	Ariadni	AYLV-600P	1	16	2%	99%	<1s
Lutron	Glyder	GLV-600	1	16	0%	99%	N.A. ¹
Lutron	Diva	DVLV-600P	1	16	1%	99%	<1s
Lutron	Lumina	LG-103P	1	37	1%	99%	<1s
Lutron	Skylark	SLV-600P	1	16	0%	99%	N.A. ¹
EWD	Universal	DUL06P-C7	1	11	2%	98%	<1s
Lutron	Nova	NTLV-600	1	11	3%	98%	<1s
Lutron	Nova	NT-600	1	16	1%	99%	<1s

1. Dim to off.



D010 250mA/1000 Lumens

Dimmer Make	Dimmer Series	Dimmer Model #	Types of Dimmer	Minimum Lamps or Luminaires (per circuit)	Maximum Recommended Luminaires (per circuit) at 120V	Maximum Recommended Luminaires (per circuit) at 277V	Max Dimming percentage (%)	Min Dimming percentage (%)	Low End Start Time
Eaton	Slide Dimmer	SF10P	0-10v	1	53	72	100	1	<1S
Eaton	Decorator Dimmer	DF10P	0-10v	1	53	72	100	1	<1S
Leviton	Illumatech	IP710-DL	0-10v	1	53	65	100	1	<1S
Lutron	NTFTV	NOVA T	0-10v	1	84	185	100	1	<1S
Lutron	DIVA	DVTV	0-10v	1	84	185	100	1	<1S
Cooper Lighting Solutions	iLumin	SC277-06	0-10v	1	84	185	100	1	<1S
Cooper Lighting Solutions	Greengate	CK4A	0-10v	1	105	231	100	1	<1S

D010 250mA/1000 Lumens

Dimmer Make	Dimmer Series	Dimmer Model #	Types of Dimmer	Minimum Lamps or Luminaires (per circuit)	Maximum Recommended Luminaires (per circuit) at 120V	Maximum Recommended Luminaires (per circuit) at 277V	Max Dimming percentage (%)	Min Dimming percentage (%)	Low End Start Time
Eaton	Slide Dimmer	SF10P	0-10v	1	53	72	100	1	<1S
Eaton	Decorator Dimmer	DF10P	0-10v	1	53	72	100	1	<1S
Leviton	Illumatech	IP710-DL	0-10v	1	53	65	100	1	<1S
Lutron	NTFTV	NOVA T	0-10v	1	84	185	100	1	<1S
Lutron	DIVA	DVTV	0-10v	1	84	185	100	1	<1S
Cooper Lighting Solutions	iLumin	SC277-06	0-10v	1	84	185	100	1	<1S
Cooper Lighting Solutions	Greengate	CK4A	0-10v	1	105	231	100	1	<1S

Dimmer Notes:

- 1) Start time is measured at the lowest dimmer setting.
- 2) Some LED dimmers have a "rapid start" design used to provide a momentary power boost to LED and CFL lamps during start-up. When a LED luminaire is on a dimmer with "rapid start" the boost may cause a momentary flash of the LED lighting. This "flash" is generated by the dimmer, and may be more noticeable when the dimmer is at a low setting. A solution is available with EATON dimmers which provide adjustment capability of the "rapid start": Devine (DAL06P), Accell (AAL06P), and Trace (TAL06P). Refer to product specifications online at www.eaton.com/lighting for more details.

Dimming Guide Disclaimer:

- 1) Leviton® is a registered trademark of Leviton Manufacturing Co. Inc.; Lutron® is a registered trademark of Lutron Electronics Co. Inc.; Lightolier® is a registered trademark of Philips Lighting; Hubbell® is a registered trademark of Hubbell Incorporated; Legrand® and Pass & Seymour® are registered trademarks of Legrand®; Eaton® is a registered trademark of Eaton Corporation. These companies and their tradenames, trademarks or brands, where noted, are associated with their respective company and are not associated with Cooper Lighting Solutions.
- 2) Testing conducted by Cooper Lighting Solutions is not a substitute for and does not imply certification by an independent laboratory or any other standards certification. Refer to the manufacturer specifications for more detailed information on product certifications and standards.
- 3) This is a representative list of typical dimmers as tested by Cooper Lighting Solutions for performance with the designated LED luminaires only. Test data contained in this literature is based upon dimmers obtained in the marketplace. Information about these other manufacturers products is obtained from packaging and published information made available by the manufacturer and is deemed to be reliable, but has not been verified. Dimmer performance and perceived limitations of the dimmers are based on factors outside of Cooper Lighting Solutions' control. The specifications of these dimming controls and their conditions of use may change without notice to Cooper Lighting Solutions or any other user. Cooper Lighting Solutions makes no specific recommendation on product selection and there are no warranties of performance or compatibility implied. Installer must ensure proper local and national electrical codes are followed; and that the dimmer application and condition of use is per dimmer manufacturer instructions and guidelines.

Application Note - H277, H347 and H347200 step-down transformers are qualified to drive multiple Halo LED on a single circuit in Non-IC construction. Installation of these transformers with individual LED fixtures on circuits with multiple LED loads is not recommended. This is not recommended due to resulting multiple inductive currents pulled by each transformer; in this situation the majority of the power would then be reactive (VARs) and not real (WATTS). If H277, H347 or H347200 transformers should be used individually on each LED fixture in a single circuit, then that circuit should be sized for lowered power factor as well as increased apparent power on the circuit. H277, H347 and H347200 are UL/cUL listed for use with Halo recessed housings: H750T, H750TCP, H7T, H7TNB, H7RT.

Step Down Transformers

H277 = Steps 277 line voltage down to 120 volts. Attaches to knockout on first fixture’s junction box in a circuit and is 300VA rated. H277 is a UL recognized Component listed under the luminaire UL/cUL listing for Halo Non-IC housings.

H347 and H347200 = Steps 347 line voltage down to 120 volts. Attaches to knockout on first fixture’s junction box in a circuit. H347 is 75VA and H347200 is 200VA rated. H347 is a CSA/UL Listed Component for use under the luminaire UL/cUL listing with Halo Non-IC housings.

Transformer Load - H277 (300VA)

1. H277 Transformer at full loading consumes a maximum of 16W of power.
2. When a dimmer or switch is on the secondary (120V) side of the transformer, power is consumed by the transformer when the dimmer or switch is in “OFF” mode at 6.5W and in “ON” mode at 16W maximum under full loading.
3. When a dimmer or switch is on the primary (277V) side ahead of the transformer, power is consumed only in “ON” mode to a maximum of 16W under full loading. (Use of a dimmer ahead of the transformer is not recommended)

Transformer Load - H347 (75VA)

1. H347 Transformer at full loading consumes a maximum of 15W of power.
2. When a dimmer or switch is on the secondary (120V) side of the transformer, power is consumed by the transformer when the dimmer or switch is in “OFF” mode at 2.5W and in “ON” mode at 15W maximum under full loading.
3. When a switch is on the primary (347V) side ahead of the transformer, power is consumed only in “ON” mode to a maximum of 15W under full loading. (Use of a dimmer ahead of the transformer is not recommended)

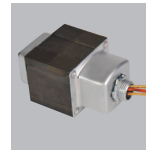
Transformer Load - H347200 (200VA)

1. H347200 Transformer at full loading on 120V side consumes a maximum of 28W of power.
2. When a dimmer or switch is on the secondary (120V) side of the transformer, power is consumed by the transformer when the dimmer or switch is in “OFF” mode at 9.2W and in “ON” mode at 28W maximum under full loading.
3. When a switch is on the primary (347V) side ahead of the transformer, power is consumed only in “ON” mode to a maximum of 28W under full loading. When a switch is on the primary (277V) side ahead of the transformer, power is consumed only in “ON” mode to a maximum of 12W under full loading. (Use of a dimmer ahead of the transformer is not recommended)

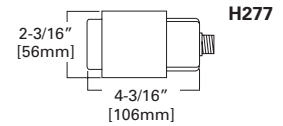
HLB Retrofit LED Downlight Series

(HLB Maximum Units on Step Down Transformer Powered Circuits)

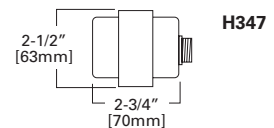
Transformer	VA Rating	Max # of Fixtures	
		600 Series	900 Series
H277	300	24	16
H347	75	6	4
H347200	200	16	10



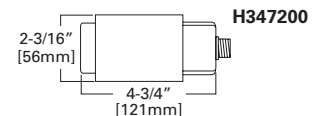
H277
277V Step Down Transformer,
300VA



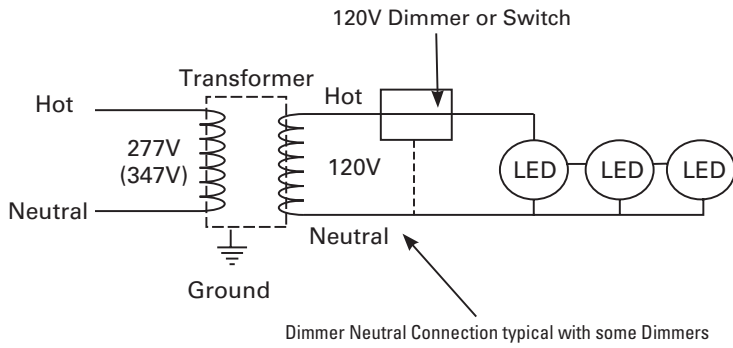
H347
347V Step Down Transformer,
75VA



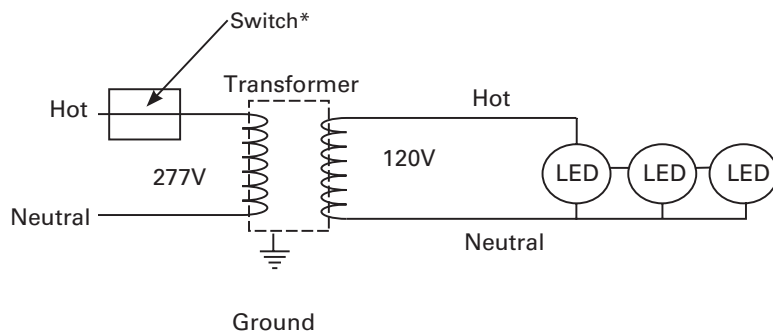
H347200
347V Step Down Transformer,
200VA



Transformer with Dimmer/Switch on 120V Secondary

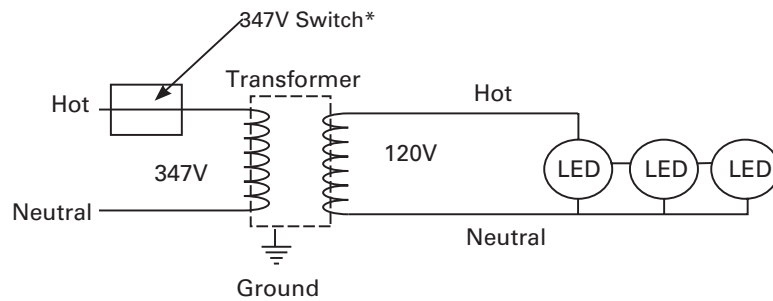


Transformer with Switch on 277V Primary



*Use of a dimmer ahead of the transformer is not recommended

Transformer with Switch on 347V Primary



*Use of a dimmer ahead of the transformer is not recommended